

DOC - 4

NATIONAL INSTITUTE OF TECHNOLOGY KARNATAKA, SURATHKAL

DEPARTMENT OF CENTRAL RESEARCH FACILITY

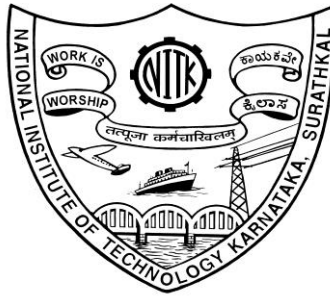
POST SRINIVASNAGAR, MANGALORE – 575 025 (D K)
A DEEMED UNIVERSITY

Phone: (0824) 2474000.

E- mail: info@nitk.ac.in

Fax: (0824) 2474033

Website: <http://www.nitk.ac.in>



NOTICE INVITING QUOTATION

Quotation Notification. No. 024/NITK/CRF/FUR/OH-35/2020-21/B4/04

Date:22/12/2020

Name of Goods : Furniture for CRF

Time for Supply of item
after the release of the Purchase order : 15 Days

Last Date for submission of Quotation : 05/01/2021 **before 11.00 a.m.**

Address for Submission of Quotation : Dr. M. R. Rahman, M. No.9620169801
Office.crf@nitk.edu.in M. No.9632493401



NATIONAL INSTITUTE OF TECHNOLOGY KARNATAKA, SURATHKAL

DEPARTMENT OF CENTRAL RESEARCH FACILITY

POST SRINIVAS NAGAR, MANGALORE – 575 025
A DEEMED UNIVERSITY

Phone: (0824) 2474000
Email: info@nitk.ac.in

Fax: (0824) 2474033
Website: <http://www.nitk.ac.in>

Quotation Notification. No. 024/NITK/CRF/FUR/OH-35/2020-21/B4/04

Date:22/12/2020

NOTICE INVITING QUOTATION (NIQ)

The National Institute of Technology Karnataka, Surathkal (in short – NITK, Surathkal) is an autonomous body under the Ministry of HRD Govt of India, a Deemed University, imparting Technical Education and engaged in Research Activities. It is proposed to procure the items for the departmental academic/research activities.

Sealed Quotations as per the Price Schedule given in this NIQ are invited for the following items subject to the terms and conditions, from the reputed manufacturers or its authorized dealers so as to reach on or before the scheduled date and time. The quotations in the firm's Business letterhead should be addressed to the "Director, NITK, Surathkal". The envelope shall be superscribed with the Quotation Notification Number and the Name of the Goods for which quotation is submitted.

- 1. Name of Goods** : Furniture for CRF
(Specifications are annexed to this NIQ)
- 2. Time for completion of Supply after**
release of Purchase Order : 15 Days
- 3. Last date and time for submission of quotation** : 05/01/2021 before 11:00 a. m.
- 4. Address for Submission of Quotation** : Dr. M. R. Rahman, M. No.9620169801
Office.crf@nitk.edu.in m. No.9632493401

Sd/-
[Chairman, CRF]

Note: Institute shall not be responsible for any postal delay about non-receipt /non-delivery of the bids or due to the wrong addressee.

Terms and Conditions

1. The rates should be quoted for preferably FOR destination from supply within India.
2. **In case, Goods are to be Imported, the Indian agent should furnish an authorization certificate by the principles abroad for submission of the bid in response to this Notice Inviting Tender.** In the case of import, both CIF and/ or FOB rate should be quoted. All components of expenditure to arrive at Bangalore need to be explicitly specified.
- 3 The bidder shall indicate the excise duty exemption for the goods if applicable.
- 3 The institute is eligible for a customs duty exemption, excise duty exemption, issuance of form D.
4. The rate quoted should be on a unit basis. Taxes and other charges should be quoted separately, considering exemptions if any.
5. Rate quoted should be inclusive of Testing, commissioning, and installation of equipment and Training.
6. Payment: No advance payment will be made. Payment will be made only after the supply of the item in good and satisfactory condition and receipt of performance security by the supplier.
In the case of Imports, the payment will be made through LC / Sight Draft / After Installation, and performance security needs to be submitted at the time of LC commitment/issue of sight draft.
7. Guarantee and Warrantee period should be specified for the complete period conforming to section 3 of this tender document.
8. Period requirement for the supply and installation of item should be specified conforming to section 3 of this tender document.
9. In case of dispute, the matter will be subject to Mangalore Jurisdiction only.

SCHEDULE OF REQUIREMENTS, SPECIFICATIONS AND ALLIED DETAILS

[To be filled up by the Department / Centre of NITK, Surathkal]

Item(s) Name to be Procured : Furniture for CRF

Brief Specifications of the Item(s)
(Attach Additional Sheet if necessary) : Attached (Annexure A)

Quantity : Table 10 Nos., Cupboard 10 Nos.

Any other details / requirement : Attached

Warranty Period required : 3 Years

Delivery Schedule expected
after placement of Purchase order
(in Weeks) : 15 days

PRICE SCHEDULE

[To be used by the bidder for submission of the quotation]

-
1. Item Name :
 2. Specifications
(Conforming to Schedule of requirements
Enclose additional sheets if necessary) :
 3. Currency and Unit Price :
 4. Quantity :
 5. Item Cost (SI No. 3 * SI. No. 4) :
 6. Taxes and Other Charges :
(i) Specify the type of taxes and duties
in percentages and also in figures.
(ii) Specify Other Charges in figures.
 7. **Warranty Period** :
(Conforming to the Schedule of requirements)
 8. Delivery Schedule :
(Conforming to the Schedule of requirements)
 9. Name and address of the Firm for
placing purchase order :
 10. Name and address of Indian authorized
agent (in case of imports only) :

Signature of the Bidder : _____

Name and Designation : _____

Business Address : _____

Place :

Date :

Seal of the Bidder's Firm

CONTRACT FORM

[To be provided by the bidder in the business letter head]

1. (Name of the Supplier's Firm) hereby abide by the delivery schedule mentioned in this document for supply of the items if the purchase order is awarded.
2. The item will be supplied conforming to the specifications stated in this document without any defects and deviations.
3. Warranty will be given for the period mentioned in this document and Service will be rendered to the satisfaction of NITK, Surathkal during this period.

Signature of the Bidder : _____

Name : _____

Business Address : _____

Place :

Seal of the Bidder's Firm

Date :

Annexure A

Office Steel Tables Specification:

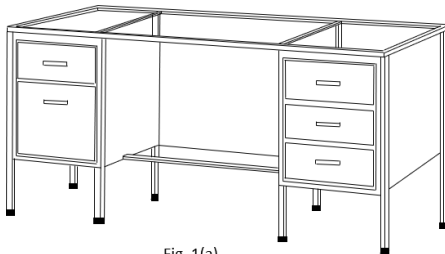


Fig. 1(a)

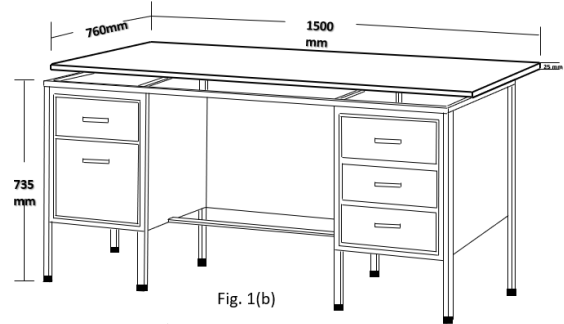


Fig. 1(b)

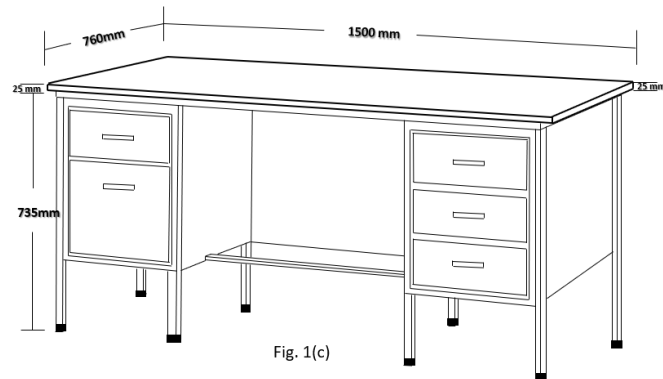


Fig. 1(c)



Fig. 2

- Storage Unit and Drawer Units Material: Mild Steel Square Section of outside side minimum 25mm and wall thickness minimum 1.2 mm

- Both side storage unit with locking facility, 3 drawer unit, 1 box and 1 file drawer unit with locking facility
- Type of Storage Units : Refer Fig 1a, 1b, 1c & Fig. 2.
- Handles Material : Corrosion Resistance Metal.
- Tabletop frame : As per the Fig. 1(a), heavy gauge mild steel material.
- Total numbers of Legs : 8 nos, heavy gauge mild steel material.
- Table Top frames and Table legs must be fabricated as per the given Drawing Fig 1(a)., Fig 1(b), Fig 1(c)
- Table Top Material : 25 mm thick Plywood or Multiplex table Top with sunmica finishing.
- Table Top Length : 1500 millimeter
- Table Top Width : 760 millimeter
- Table Height : 760 millimeter
- Loading capacity of table top : 500 kg
- Foot Rest : Yes, comfortable for long working hours.
- Shoes Materia : Standard shoes/bushes.
- Warranty : 3 Years
- Colour & finish : As per the Fig. 2.

The table will be used to keep the high-end research instruments, so it is required to match all the specifications. The required table details indicated in Fig. 1 (a), Fig. 1(b) & Fig. 1(c). The Bids which are meeting all the specification will be accepted for further process.

Cupboard:



Fig. 3(a)



Fig. 3(b)

- Supplying of Steel Filing Rack made by using prime quality CRCA steel with complete anti-rust treatment. All Steel components should be made up of CRCA (cold rolled close annealed steel) sheet, the painting should be done by an automatic airless electrostatic process using Alkyd amino paint, oven baking at uniform temperature ensuring hard and scratch-free surfaces.
- Grade: 18-gauge steel cupboard
- The material of Almirah Doors: 5 mm thick Transparent Glass Sheet fixed in the steel sheet frame
- Height of the cupboard: 2000 mm
- Width of the cupboard: 910mm
- Depth of the cupboard: 455mm
- No. of shelves: 4 Nos. & No. of Compartment: 5
- Lock: Three Way bolting device controlled by the lock
- powder coated finishing

The warranty period for the above items: Standard Warranty 3 years.